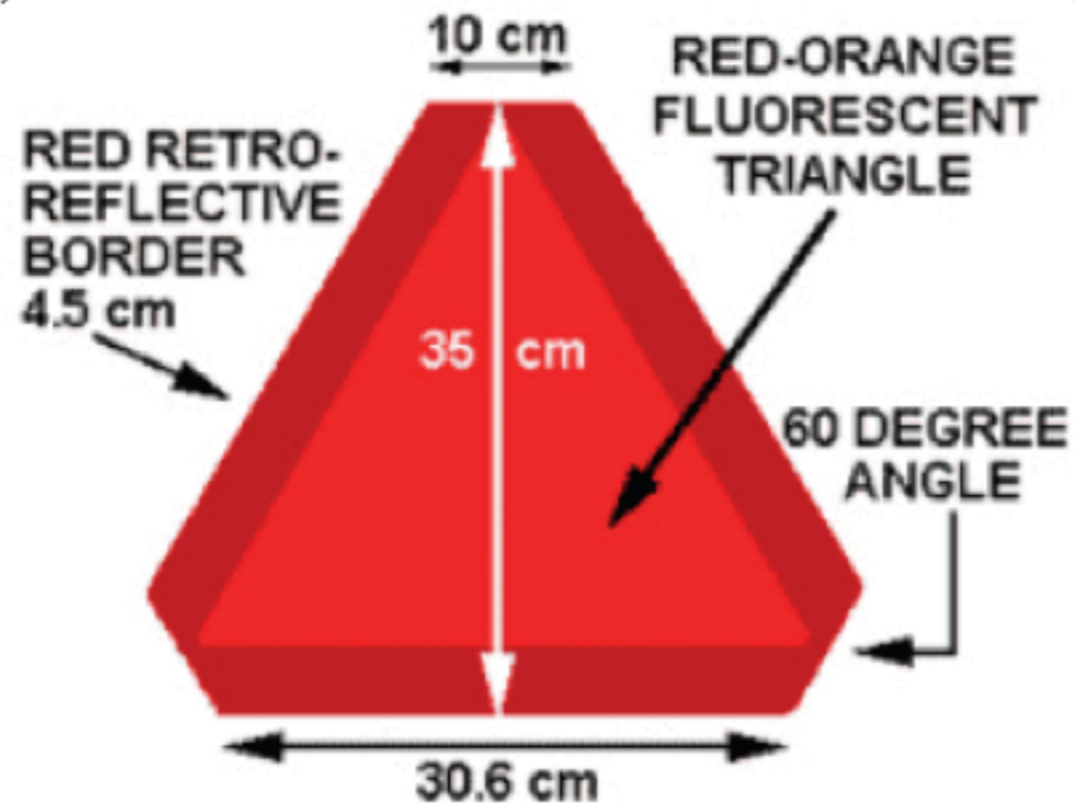
A rural landscape featuring a dirt road that curves to the right. In the background, there is a large wooden barn with a dark roof, a smaller white building with a rusted metal roof, and several trees with yellow and green foliage. The sky is clear and blue, and the hills in the distance are dry and brown. The text is overlaid on the lower left portion of the image.

Slow Moving Vehicles
(SMV)
explained by
“Say Dez!”

Slow-Moving Vehicle Sign HTA 76, Reg. 616



Purpose of a slow-moving vehicle sign

A slow-moving vehicle sign warns other road users that the vehicle displaying the sign is travelling at 40 km/h or less.

What type of vehicle requires a sign?

Tractors and SPIH (self-propelled implement of husbandry) must display a sign on the rear. If one of these machines is towing one or more implements the sign, or an additional sign, must be displayed on the rear of the combination.

Any vehicle including, but not limited to, construction equipment, street sweepers, tow motors, fork lifts, etc., that are not capable of attaining and sustaining a speed greater than 40 km/h must also display a sign. If one of these machines is towing a trailer(s), implement(s) or device(s), the sign, or an additional sign, must be displayed on the rear of the combination.

Slow moving vehicles (SMV)

(2) The following are slow moving vehicles:

1. Farm tractors and self-propelled implements of husbandry (SPIH).

Husbandry is a noun meaning:

1 the care, cultivation, and breeding of crops and animals : *crop husbandry*.

2 management and conservation of resources.

ORIGIN Middle English : from husband in the obsolete sense [farmer] + -ry ; compare with husbandman .)

2. Vehicles (other than bicycles, motor assisted bicycles and disabled motor vehicles in tow) that are not capable of attaining and sustaining a speed greater than 40 kilometres per hour on level ground when operated on a highway.

3. Motor vehicles towing an implement of husbandry. 1994, c. 28, s. 1; 2009, c. 5, s. 32.



(2) The following are slow moving vehicles:

- 1. Farm tractors and self-propelled implements of husbandry.**

Husbandry is a noun meaning:

1 the care, cultivation, and breeding of crops and animals : *crop husbandry.*

2 management and conservation of resources.

ORIGIN Middle English : from husband in the obsolete sense [farmer] + -ry ; compare with husbandman .)



- (2) The following are slow moving vehicles:**
- 1. Farm tractors and self-propelled implements of husbandry.**



(2) The following are slow moving vehicles:

- 1. Farm tractors and self-propelled implements of husbandry.**



(2) The following are slow moving vehicles:

- 1. Farm tractors and self-propelled implements of husbandry.**



- 2. Vehicles (other than bicycles, motor assisted bicycles and disabled motor vehicles in tow) that are not capable of attaining and sustaining a speed greater than 40 kilometres per hour on level ground when operated on a highway.**



Horse and buggy in St. Jacobs



Horse and buggy in St. Jacobs



A horse-drawn farm implement on the road



3. Motor vehicles towing an implement of husbandry. 1994, c. 28, s. 1; 2009, c. 5, s. 32.



Exception

(3) The slow moving vehicle sign is not required if the slow moving vehicle is operated on a highway only to cross it directly. 1994, c. 28, s. 1; 2002, c. 18, Sched. P, s. 21 (2).



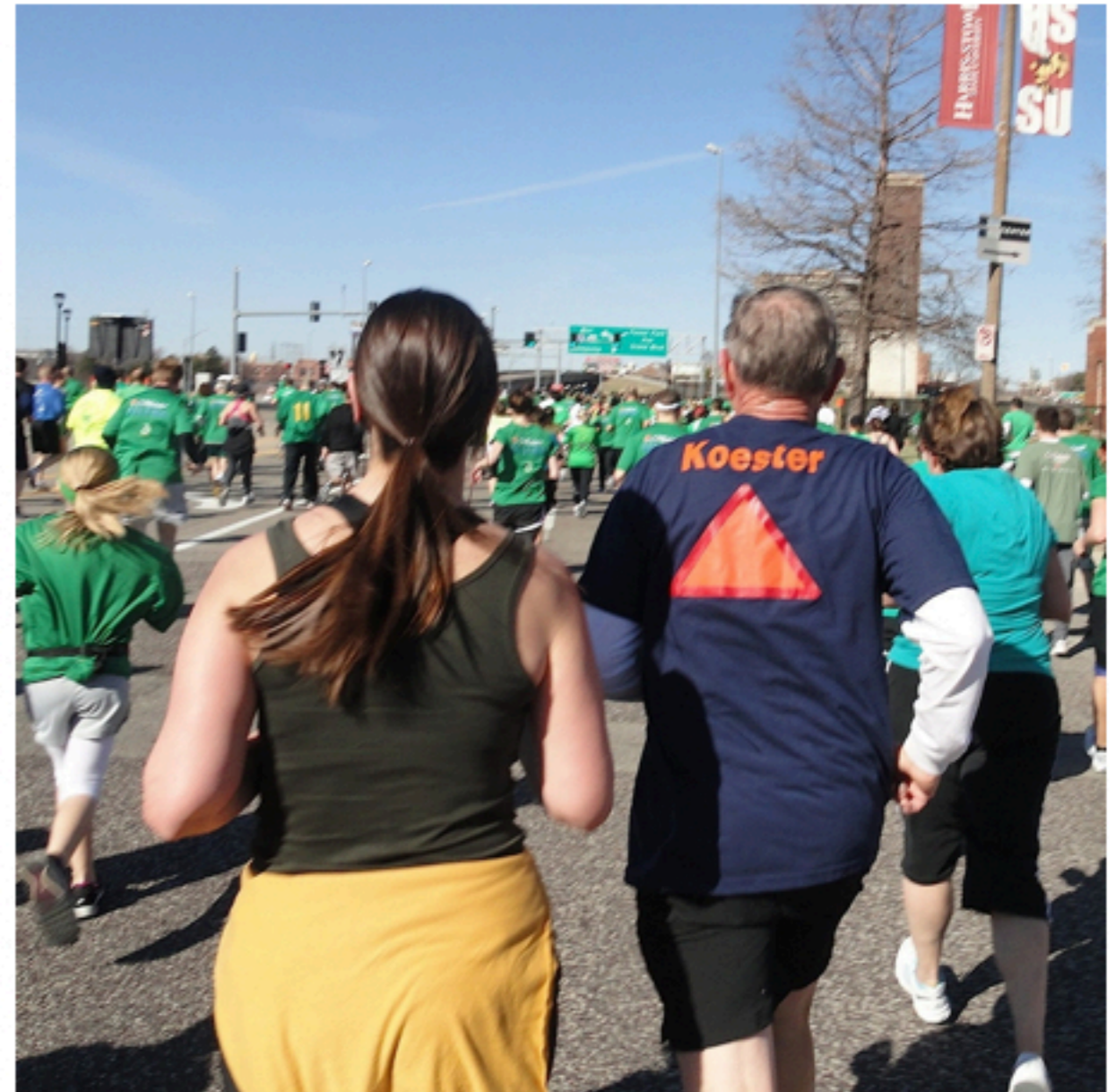
Prohibition

(4) No person shall place a slow moving vehicle sign on or near a fixed object where it is readily visible from a highway. 1994, c. 28, s. 1.



Exception

(5) Subsection (4) does not apply to a facsimile of a slow moving vehicle sign that is displayed for the information of highway users. 1994, c. 28, s. 1.



Prohibition

(6) No person shall operate on a highway a vehicle, other than a slow moving vehicle, with a slow moving vehicle sign attached to it or to a trailer, implement of husbandry or other device being towed by it. 2002, c. 18, Sched. P, s. 21 (3).



Same

(6.1) No person shall operate on a highway a slow moving vehicle with a slow moving vehicle sign attached to it or to a trailer, implement of husbandry or other device being towed by it, at a speed greater than 40 kilometres per hour. 2002, c. 18, Sched. P, s. 21 (3).

Regulations

- (7) The Lieutenant Governor in Council may make regulations,**
- (a) prescribing the type and specifications of the slow moving vehicle sign and its location on the vehicle;**
 - (b) providing that subsection (1) does not apply to a horse-drawn vehicle when driven by a person whose religious convictions or beliefs prohibit the display of devices such as the slow moving vehicle sign;**
 - (c) prescribing the type and specifications of a marker or device, requiring that it be displayed, instead of the slow moving vehicle sign, on a horse-drawn vehicle when driven by a person described in clause (b), and prescribing the location of the marker or device on the vehicle;**
 - (d) respecting any matter considered necessary or advisable to carry out the intent and purpose of this section. 1994, c. 28, s. 1.**



Sleigh bells

77. (1) Every person travelling on a highway with a sleigh or sled drawn by a horse or other animal shall have at least two bells attached to the harness or to the sleigh or sled in such a manner as to give ample warning sound.

R.S.O. 1990, c. H.8, s. 77 (1).

(See the ring of bells around the horse's neck)



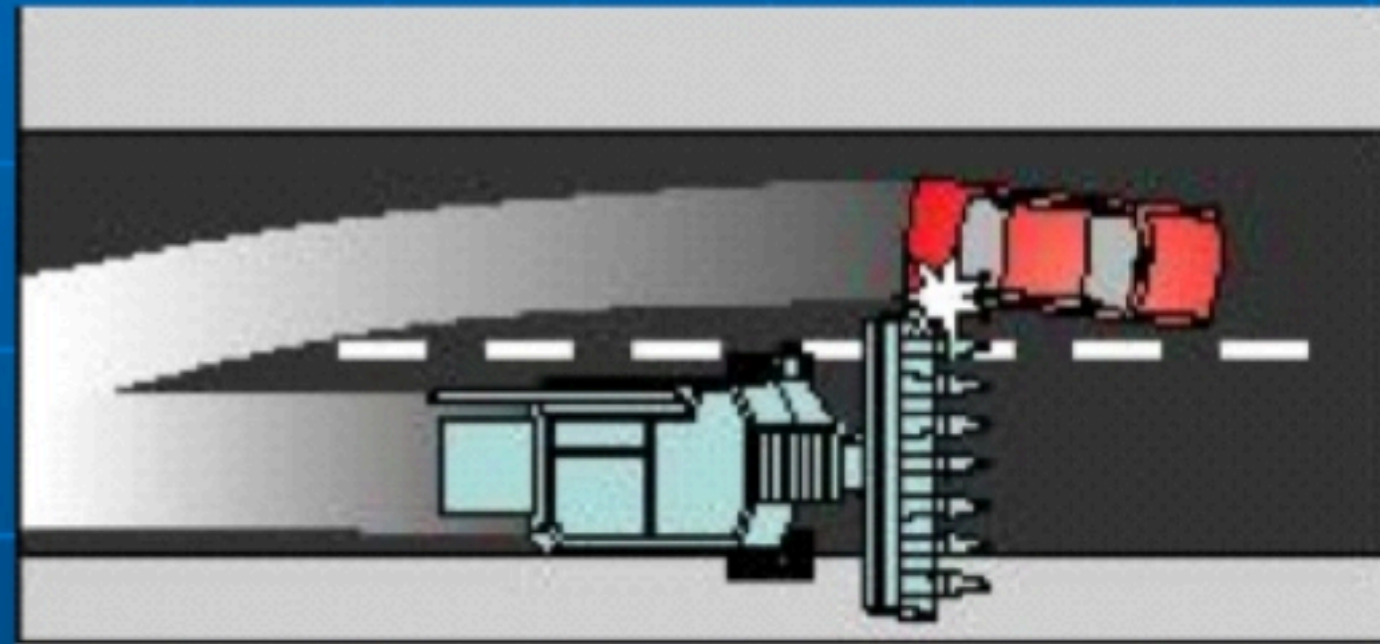
Penalty

(2) Every person who contravenes subsection (1) is guilty of an offence and on conviction is liable to a fine of not more than \$5. R.S.O. 1990, c. H.8, s. 77 (2).

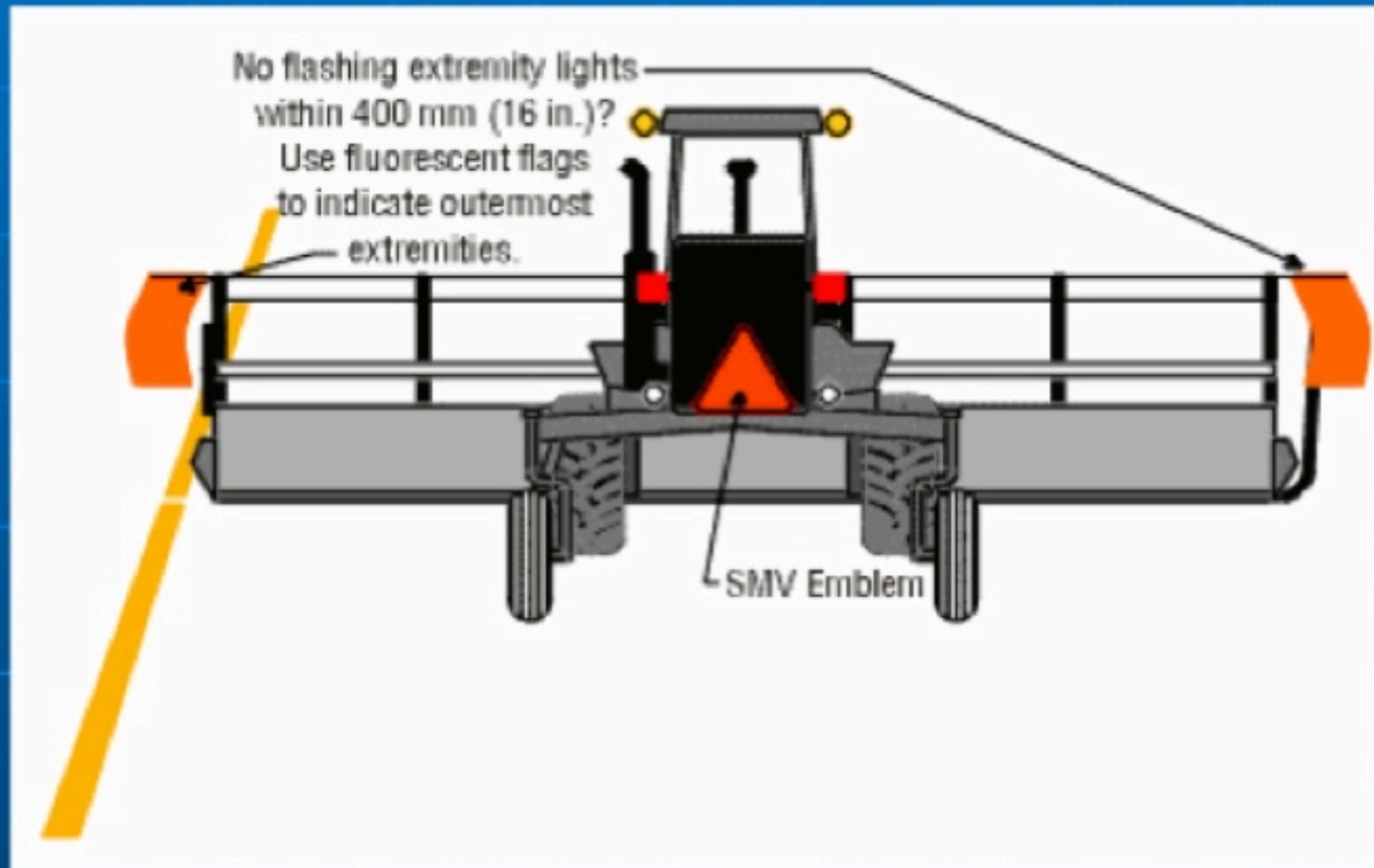
Highway Incidents

Passing Collision

- Motorists don't think about the size of farm equipment when they are passing.



Preventing Highway Incidents



- Use flashing lights or flags on the sides of wide loads.

Highway Incidents

Highway incidents involve farm machinery and highway vehicles.

The most common incidents are:

- Left Turn Collision
- Rear End Collision
- Passing Collision



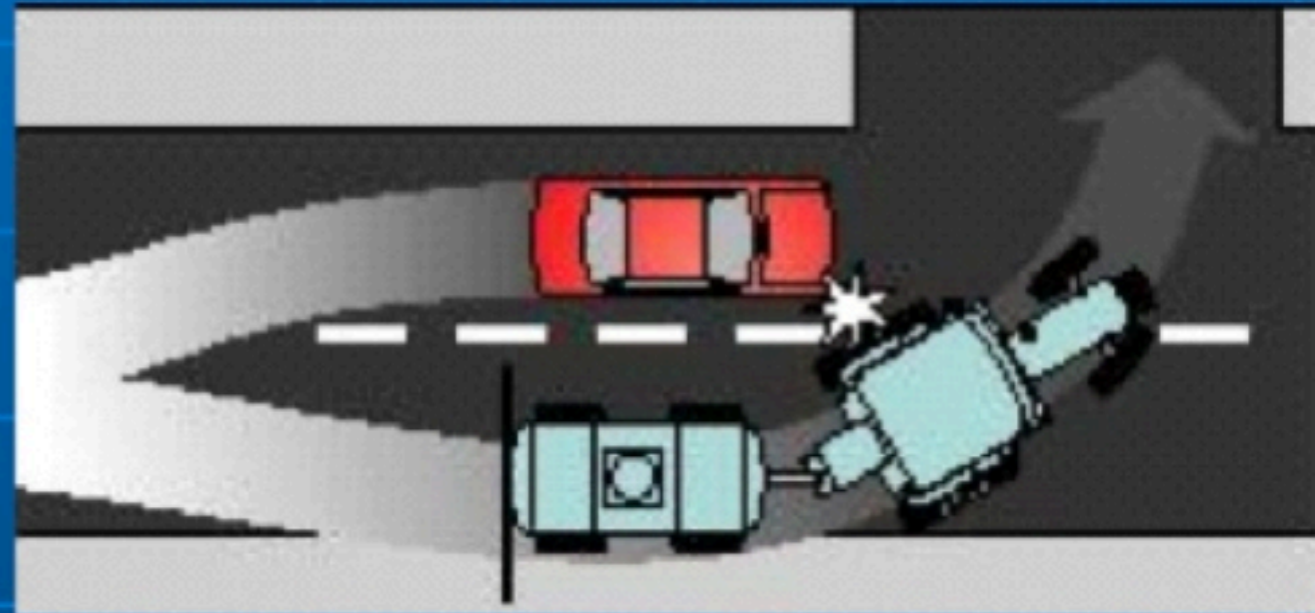
SMV sign

Highway Incidents

Left Turn Collision

- An auto driver decides to pass when a farm vehicle is making a left turn.
- This is the most common type of highway incident.

<http://www.cdc.gov/nasd/docs>



Preventing Highway Incidents



- Use SMV signs on tractors and trailing implements and wagons.

**Here is a question asked
by
Allan McCracken
of
Maitland Driver Training Centre Inc.
on August 16, 2011**

Slow Moving Vehicle (SMV) demerit points

**I have a student that wants to know if a driver of a SMV could get demerit points
for a violation?**

**I was just not 100% sure on this because under 16 drivers are allowed to be on
the road with a SMV.**

Thank you.

Allan McCracken

Here is the question posed to MTO on August 16, 2011

To: Francis, Heidi (MTO)

Subject: Fwd: Slow Moving Vehicle (SMV) demerit points

Good morning Heidi Francis,

Below is an interesting question posed by one of my clients. I am of the opinion if the HTA was transgressed, and the transgression is ticketable, yes there may be demerit points involved in this matter. Could you give us a definite answer to this spelling out the responsibilities of the SMV driver.

Thank you fro your time concerning this matter.

Sincerely yours:

Dez Miklós

"Say Dez!" Safe Driving Consulting

and president of the DIGHA

Driving Instructors' Golden Horseshoe Association

Hi Dez,

Please see (August 23, 2011) response to your email sent to Heidi Francis on August 16, 2011, regarding **Slow Moving Vehicle (SMV)** demerit points.

Q1.) Can a driver of a SMV get demerit points for a violation?

A1.) For demerit points to be assessed to a driver's licence for a violation under the Highway Traffic Act, the vehicle in which the offence was committed must meet the definition of a Motor Vehicle set out in Section 1 (1) of the Highway Traffic Act. If it is not deemed a motor vehicle under the HTA, it would not be recorded on the driver's record and therefore no demerit points would be assigned. For example, a farm tractor (which meets the definition of **Slow Moving Vehicle**) is not defined as a Motor Vehicle. Therefore an offence carrying demerit points committed while driving a farm tractor would not have demerit points assessed against the driver even if the driver is charged and convicted of the offence. A penalty imposed on a person under the age of 16, such as a suspension, may be carried forward and the driver would be denied a driver's licence until the suspension has expired, but the suspension/conviction would not appear on his/her public abstract.

(continued on next slide)

(Continued from previous slide)

A person driving a motor vehicle towing an implement of husbandry (which meets the definition of **Slow Moving Vehicle**) who commits an offence carrying demerit points would have those demerit points assessed against his/her driving record upon conviction. If the driver is not licensed a driver record is created and should the person choose to get a licence later the demerits/conviction would appear on his or her record. Note that it is an offence for a person who is under 16 years of age to drive a motor vehicle in Ontario.

Sincerely,

Paula Fagan, Director's Secretary

Safety Policy and Education Branch

Room 212, Building A, 1201 Wilson Avenue

Downsview , Ontario

M3M 1J8

The End

